

Vessel Specifications

57M - 4750 BHP - ANCHOR HANDLING TUG SUPPLY VESSEL



Vessel Specifications

Registration

Year built / builder	2004 / Guangdong Yuexin Ocean Engineering Co. Ltd., China
Flag / Port of Registry	Marshall Islands / Majuro
Class	DNV-GL + 1A1, Supply Vessel Basic Fire Fighter 1

Dimensions

Length overall	57.50 m
Breadth moulded	13.80 m
Depth moulded	5.50 m
Draft	4.50 m
Deadweight	1300 t
Registered tonnage	GRT 1204 t / NRT 361 t

Machinery

Main Engines	4750 bhp - 2 x 2375 bhp @ 1600 rpm Caterpillar 3516B DITA
Propulsion	2 x twin screw controllable pitch in kort nozzles
Bow Thrusters	1 x Kawasaki KT 43-B1, CPP type driven by electric motor drive, 5 tonnes
Main Generator	3 x Caterpillar 3408 , 315 kw each , 415V 50 Hz 3 ph
Emergency Generator	1 x Perkins, 65kw, 415V 50Hz 3 ph
Fresh water maker	1 x 5 tonnes / day, reverse osmosis
Oily Water Separator	1.0 m ³ / hr with 15 ppm alarm
Sewage treatment plant	1 x 50 person capacity

Capacities 100%

Fuel oil	370 m ³
Water ballast / Drill water	366 m ³
Liquid mud	256 m ³
Bulk cement	187 m ³
Dispersant / foam	2 x 13 m ³ each
Freezer and cooler	10 m ³ each
Clear deck area	380 m ²
Deck cargo capacity	600 mt @ 7 tonnes per m ²

Navigation and communication

Inmarsat C	Furuno Felcom 15
GMDSS	1 x Furuno, Area A3
Radars	1 x Furuno ARPA – FR 2115, 1 x Furuno –FR 1510 Mark 3
GPS navigator	1 x Furuno- GP 80
Autopilot	1 x Anschuetz NP 60
Navtex receiver	1 x Furuno NX500
Gyro compass	1 x Sperry MK 37
Magnetic compass	1 X Cassens & Plath
Communications: data / fax / phone	1 x Mini M, 1 x VSAT
MF / HF SSB DSC	1 x Furuno FS 2570C
Echo sounder	1 x Furuno FE 700
VHF radio telephone	2 x Furuno –FM 8500
GMDSS hand held radio	3 x Mc murdo -84-201 A
SART	2 x Mc murdo RT9-3
Doppler speed log	1 x Furuno DS 80
EPIRB	1 x Saracom EB-10S
Wind indicator	1 x Young Navman-6206
Barometer	1 x Barigo
Joystick Control	1 x Kawasaki KICS joystick control integrating propellers and bow thrusters

Vessel Specifications

Towing / Anchor handling / Mooring

Anchor handling towing winch	1 x Electro hydraulic waterfall type winch, Make: Plimsoll, 150 tonnes line pull and 200 tonnes brake holding capacity
Towing drum wire	1000 m x 56 mm (diameter)
Stern roller	1.6 m (diameter) x 3.5 m (length) , 175 MT SWL
Karm Fork	1 x set SWL 175 tonnes, make: Karmoy
Towing pins	1 x set SWL 160 tonnes, make: Karmoy
Tugger winch	2 x 10 tonnes @ 15 m/min electro hydraulic, make : Plimsoll brake holding capacity 15 tonnes static at 1 st layer
Anchor windlass	1 x 8 t @ 12 m per min for 34 mm (dia) chain, electro hydraulic type c/w 2 x cable lifter and 2 x wrapping drums, make : Plimsoll
Anchors	2 x 1590 kgs stockless bower
Anchor chain	372.5 m x 38 mm U2 stud link chain
Capstan	2 x 5 tonnes @ 15 m / min electro hydraulic, make: Plimsoll

Performance

Max Speed	12 knots
Service Speed	10 knots
Bollard pull	60 tonnes

Transfer Rates

Fuel Oil	1 x 150 m ³ per hr @ 75m head
Fresh Water	1 x 100 m ³ per hr @ 75m head
Drill Water	75 m ³ per hr @ 40 m head
Liquid Mud	70 m ³ per hr @ 85m head
Bulk	60 tonnes per hr @ 50 m head

Fire-fighting and anti-pollution equipment

FIFI System	FIFI Class 1 with water curtain all round
FIFI Monitors	2 x 1200 m ³ per hr @ 12 bar (with remote control) 1 x monitor fitted with double barrel for foam discharge
FIFI Pumps	2 x 1400 m ³ per hr @ 1800 rpm
CO2 system	For engine room
Fire Hydrants	As per class requirements
Fire Extinguishers	As per class requirements
BA recharging compressor	1 x 75 ltr per min @ 200 bar
Fast rescue craft	1 x 12 men capacity c/w launching and recovery davit
Safety equipment	As per the LSA

Accommodation (46 bunks)

2 x 1 man cabins = 2 berths
6 x 2 man cabins = 12 berths
8 x 4 man cabins = 32 berths
1 x hospital with 2 beds

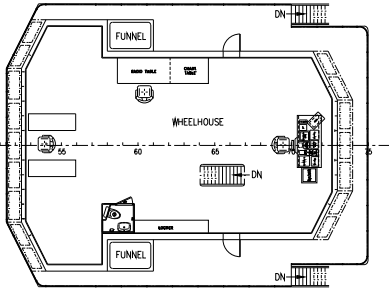
All cabins fully air-conditioned & c/w attached toilets.

Last revision October 2016

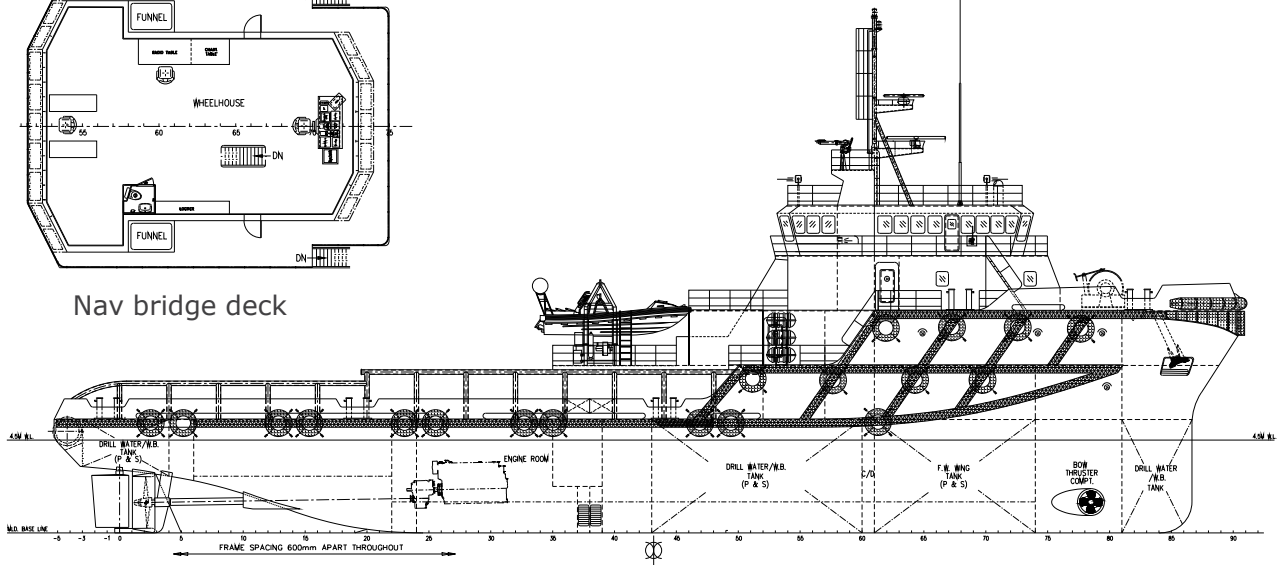
Tank Capacities

Tanks	SG m ³	Fuel oil 0.850	Pot water 1.000	Drill water 1.000	Ballast water 1.025	Liquid mud 2.500	Brine m ³ 2.500	Base oil 0.830	Glycol 1.120	Dry bulk 2.400	Oil recovery 1.000
F.W Wing Tank Port	60.02		60.02								
F.W Wing Tank Stbd	60.02		60.02								
F.W DB Tank Centre	79.51		79.51								
DW FP TK (C)	53.78			53.78							
No1 DW TK Stbd	23.12			23.12							
No1 DW TK Port	23.12			23.12							
No 3 DW TK Stbd	51.68			51.68							
No 3 DW TK Port	51.68			51.68							
No 2 DW/WB Stbd	37.94			37.94							
No 2 DW/WB Port	37.94			37.94							
No 4 DW/WB TK Center	54.65			54.65							
No 5 DW/WB TK Stbd	16.23			16.23							
No 5 DW/WB TK Port	16.23			16.23							
No 1 FO DB TK Stbd	45.73	38.87									
No 1 FO DB TK Port	45.73	38.87									
No 2 FO DB TK Stbd	49.12	41.75									
No 2 FO DB TK Port	49.12	41.75									
No 1 FO Wing Stbd	36.07	30.66									
No 1 FO Wing Port	36.07	30.66									
No 2 FO Wing Stbd	45.52	38.69									
No 2 FO Wing Port	45.52	38.69									
FO Day tank Stbd	9.37	7.96									
FO Day tank Port	9.37	7.96									
Liquid Mud Tank Stbd	127.92					319.80					
Liquid Mud Tank Port	127.92					319.80					
Lube Oil Tank	4.96										
Foam Tank	13.52										
Detergent Tank	13.52										
Bilge Holding	6.92										
Dirty Oil Tank	6.92										
Dry Bulk # 1	46.72									112.13	
Dry Bulk # 2	46.72									112.13	
Dry Bulk # 3	46.72									112.13	
Dry Bulk # 4	46.72									112.13	
Weight in Tons		316	200	366		640				449	
Volume in m ³		372	200	366		256				187	

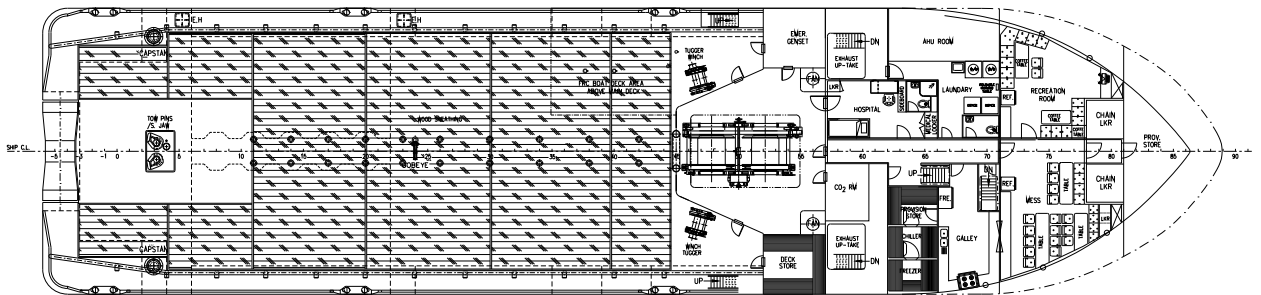
GA Specifications



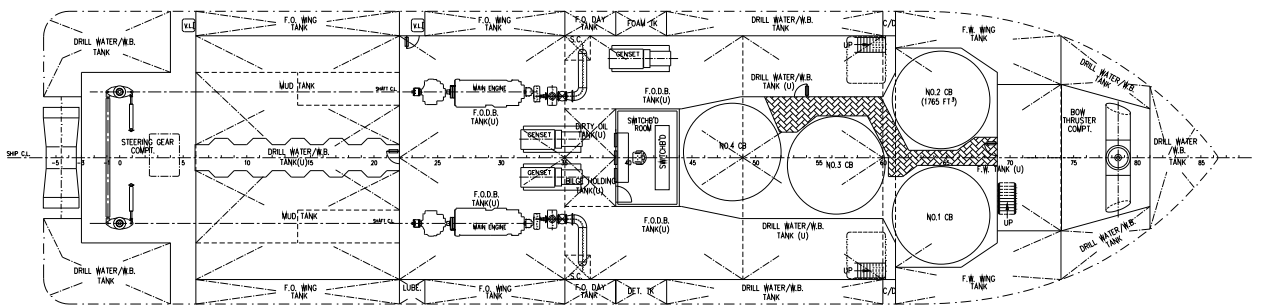
Nav bridge deck



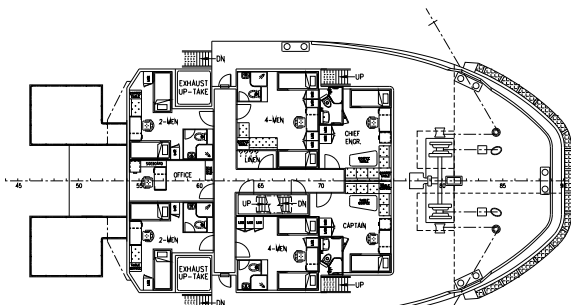
Outboard profile



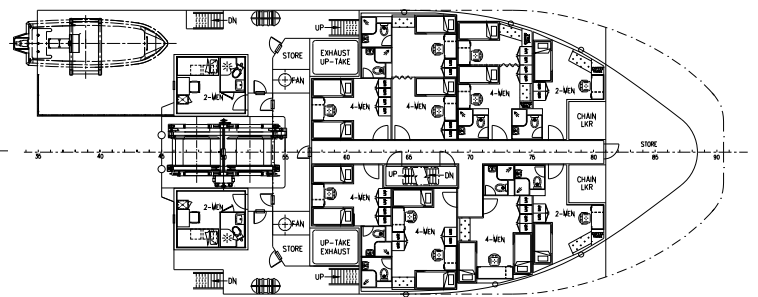
Main deck



Below deck



Forecastle deck



Upper forecastle deck